

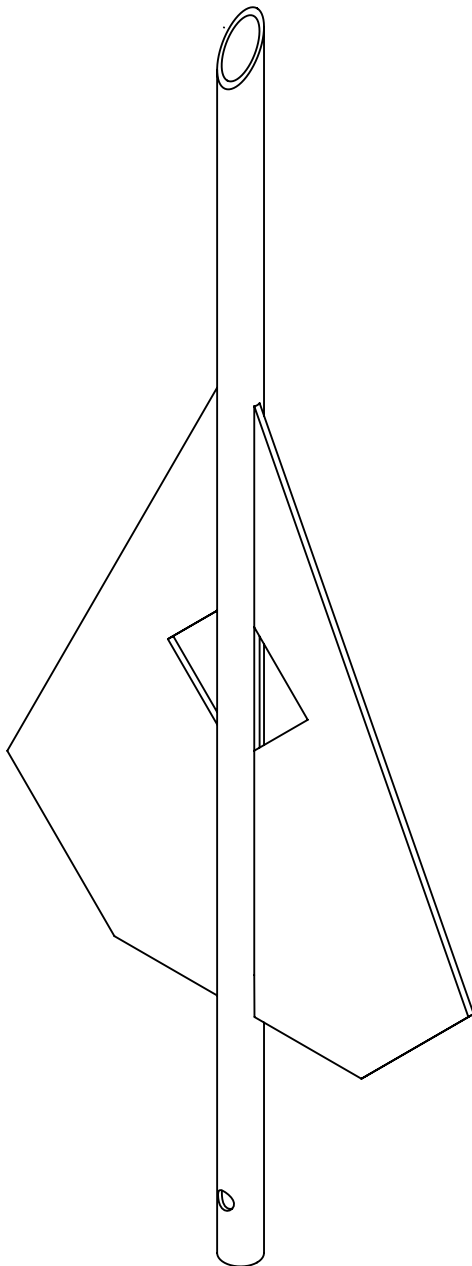
A

B

C

D

E



UNLESS OTHERWISE SPECIFIED:
 DIMENSIONS ARE IN MILLIMETERS
 SURFACE FINISH:
 TOLERANCES:
 LINEAR:
 ANGULAR:

FINISH:

DEBUR AND
 BREAK SHARP
 EDGES

DO NOT SCALE DRAWING

REVISION

	NAME	SIGNATURE	DATE			
DRAWN						
CHKD						
APPV'D						
F MFG						
Q.A						

TITLE:	
DWG NO.	Якорь

A4

MATERIAL:

WEIGHT:

SCALE: 1:20

SHEET 1 OF 2

A

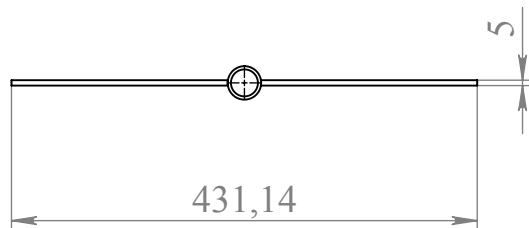
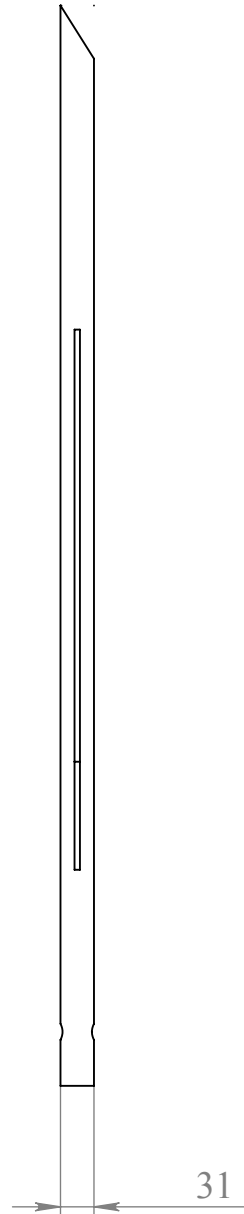
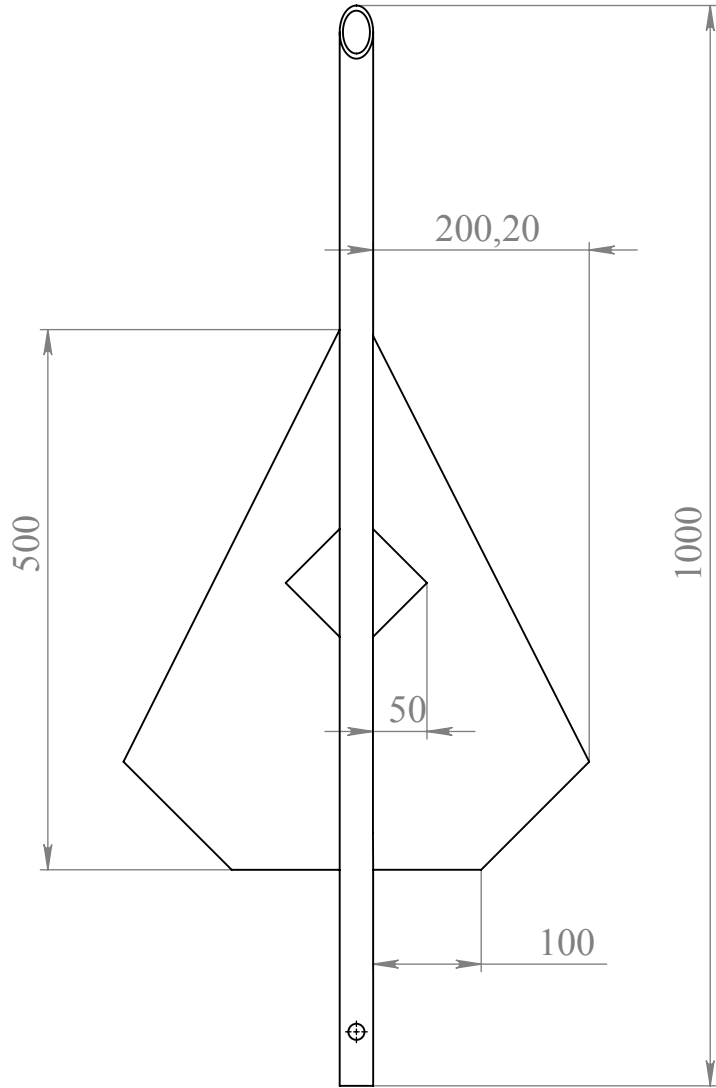
B

C

D

E

F



UNLESS OTHERWISE SPECIFIED:
DIMENSIONS ARE IN MILLIMETERS
SURFACE FINISH:
TOLERANCES:
LINEAR:
ANGULAR:

FINISH:

DEBUR AND
BREAK SHARP
EDGES

DO NOT SCALE DRAWING

REVISION

	NAME	SIGNATURE	DATE		
DRAWN					
CHKD					
APPV'D					
MFG					
Q.A					

TITLE:	
DWG NO.	Якорь
A4	
SCALE: 1:20	SHEET 2 OF 2

MATERIAL:

WEIGHT:

DWG NO.

SCALE: 1:20

SHEET 2 OF 2